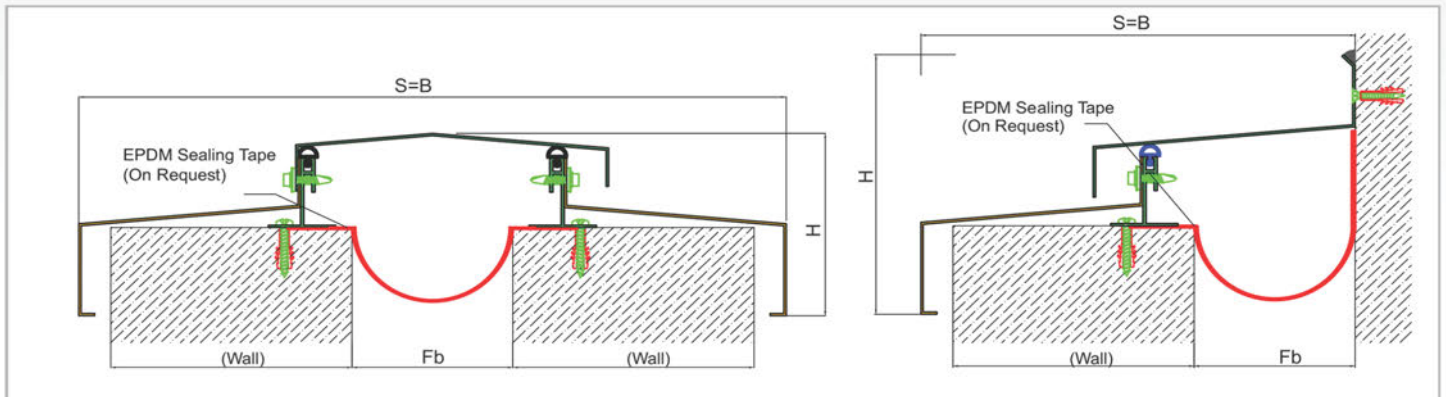
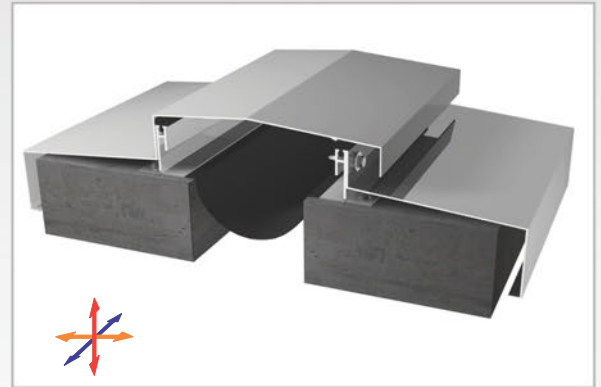
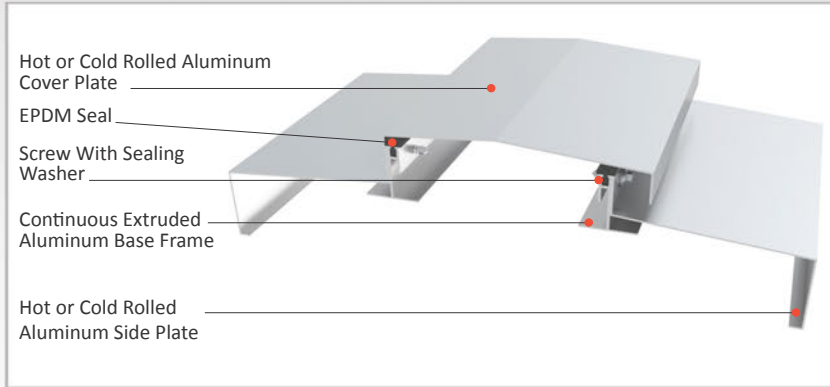




Roof Expansion Joint Covers can simply be defined as the multipartite systems placed on the parapet walls to eliminate the penetration of water, wind and other factors through the expansion gaps at the roofs. They are designed for flat roofs which can be exposed to thermal, structural and seismic movements. To specify the right cover, the parapet wall thickness and gap must be defined correctly and other factors such as seismic ability, wind load, snow load, environmental conditions must be taken into consideration. Covers give a decorative aspect to the roofs with their anodizing finish and can also be powder coated to any RAL color with an additional cost. Cover & side plates of anodized covers are manufactured from hot rolled aluminum while the powder coated ones are manufactured from cold rolled aluminum.

- Application Areas** : Outdoor / Roof
- Ideal for** : All buildings with flat roof
- Material** : Aluminum (Extruded & Hot or Cold Rolled)
- Finish** : Anodized or Powder Coated
- Optional Supplies** : Waterproof EPDM membrane

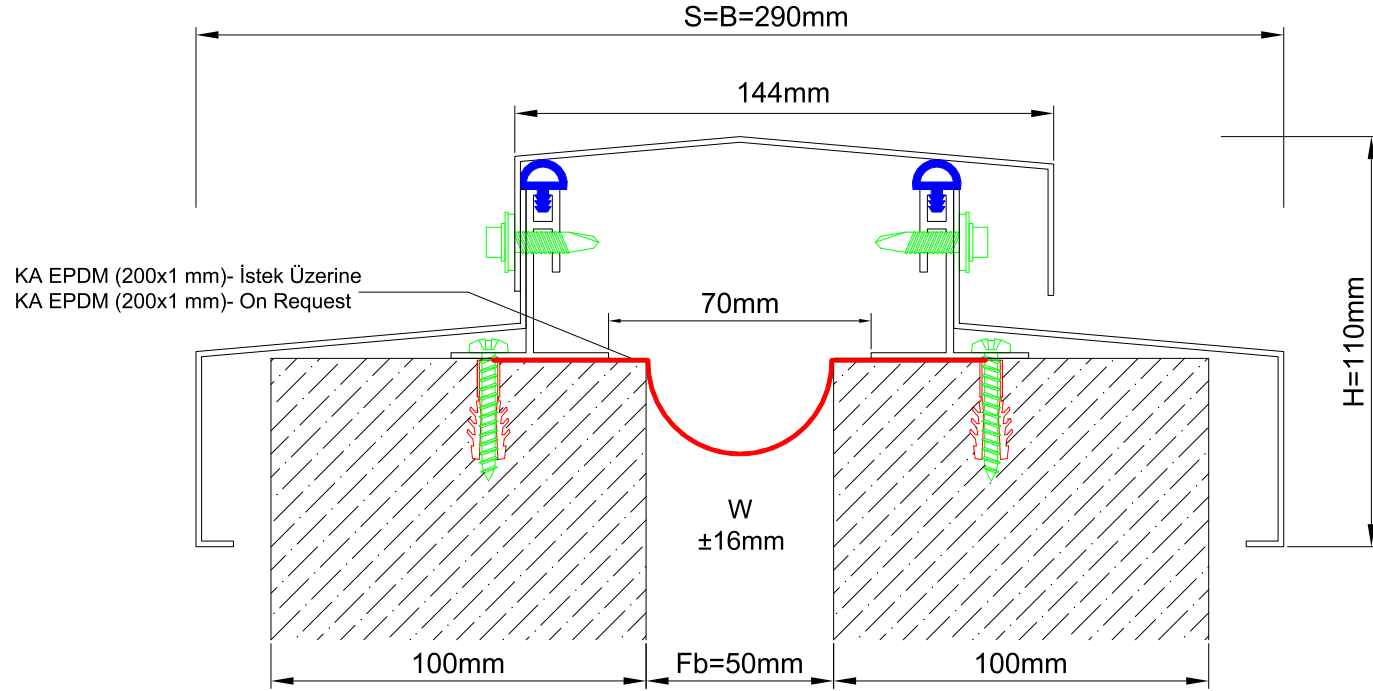


\* Visuals are representative and the profile configuration may differ depending on the characteristics requested.

| LOCATION           | MODEL          | GAP (Fb) mm | HEIGHT (H) MM | OVERALL WIDTH (B) mm | VISIBLE WIDTH (S) mm | WALL THICKNESS mm | MOVEMENT (W) mm | STANDARD LENGTH (mt) |
|--------------------|----------------|-------------|---------------|----------------------|----------------------|-------------------|-----------------|----------------------|
| Parapet to Parapet | AS UHP 290110  | 50          | 110           | 290                  | 290                  | 100               | +16 / -16       | 3                    |
|                    | AS UHP 440120  | 100         | 120           | 440                  | 440                  | 150               | +16 / -16       | 3                    |
|                    | AS UHP 590120  | 150         | 120           | 590                  | 590                  | 200               | +16 / -16       | 3                    |
|                    | AS UHP 540124  | 200         | 124           | 540                  | 540                  | 150               | +16 / -16       | 3                    |
| Parapet to Wall    | AS UHP 170155K | 50          | 155           | 170                  | 170                  | 100               | +20 / -20       | 3                    |
|                    | AS UHP 270170K | 100         | 170           | 270                  | 270                  | 150               | +20 / -20       | 3                    |
|                    | AS UHP 370173K | 150         | 173           | 370                  | 370                  | 200               | +20 / -20       | 3                    |
|                    | AS UHP 370177K | 200         | 177           | 370                  | 370                  | 150               | +20 / -20       | 3                    |

Note: Please ask for different size





AS UHP 290110

| Profil No<br>Profile Number   | AS UHP 290110  |
|---|--|
| Açıklık (Fb) mm<br>Gap (Fb) mm  | 50   |
| Yükseklik (H) mm yaklaşık<br>Coating thickness (H) mm approx          | 110  |
| Hareket Kapasitesi (W) mm yaklaşık<br>Movement capacity (W) mm approx | ±16  |
| Renk<br>Color   | Alüminyum Görünür Yüzeyler: Eloksalli, Alüminyum Bağlantı Elemanı: Natürel<br>Aluminum Visible Parts: Anodized, Aluminum Base Frame: Natural |
| Standart Uzunluk (m)<br>Standard Length (m)                           | 3  |